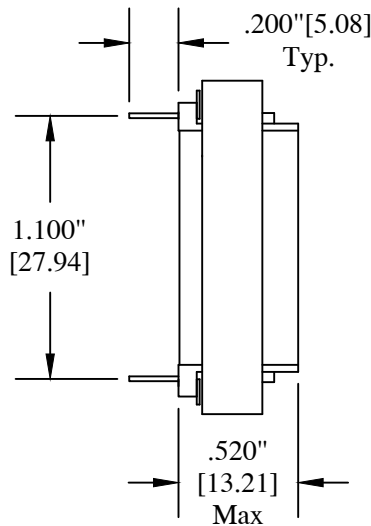
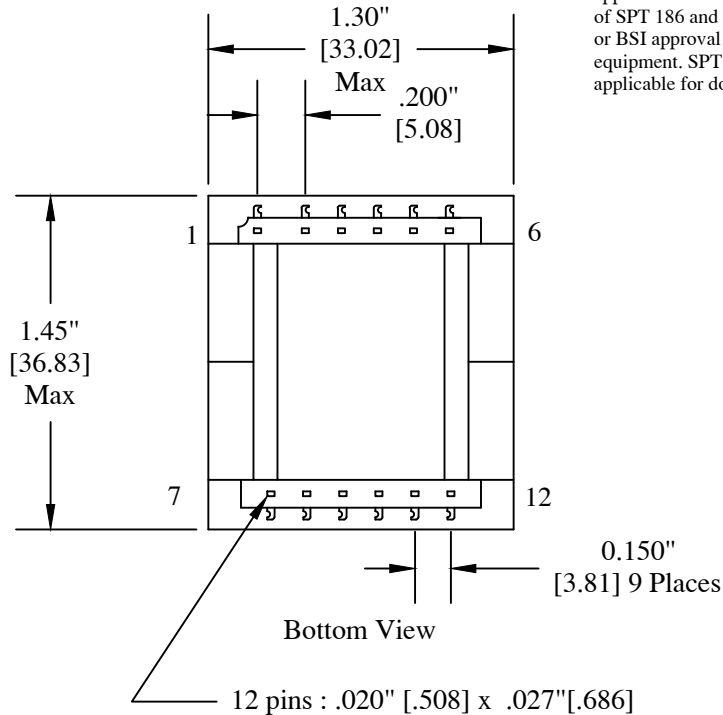


- VOICE & DATA APPLICATIONS.
- DESIGNED FOR WET (70mA DC) CIRCUITS.
- IMPEDANCE RATIOS OF 600 Ω : 600 Ω .
- LOW PROFILE <.525"/13.34mm.
- SOLID FOIL STATIC SHIELD, CONNECTED TO GROUND PIN.
- ALTERNATE ECONOMY PART SPT-1107.
- UL RECOGNIZED COMPONENT - UL 1863, FILE E138250.

REVISIONS			
DATE	REV	DESCRIPTION	APPV'D
10/11/93	-1	Changed Harm Dist. was specified in %	Tjk
6/02/97	-2	Delete 0.720" ref. dimension	mm
03/24/16	-3	Updated entire drawing, added millimeters	Tjk

Note: Prem has supplied SPT 186 and 187 configurations to customers who have BPO approval on their systems; However, usage of SPT 186 and 187 will not guarantee BPO or BSI approval for your specific equipment. SPT 186 and 187 are also applicable for domestic use.

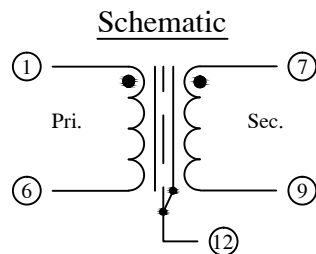


Electrical Parameters:

Primary Impedance: 600Ω
 Secondary Impedance: 600Ω
 Turns Ratio: 1 : 1.08 +/- 2%
 Primary D.C. Resistance : 66Ω +/- 10%
 Secondary D.C. Resistance : 72Ω +/- 10%
 Maximum unbalance D.C. Current : 70mA
 Dielectric Strength 2200VDC : Pri - Core, Screen - Sec, Sec - Core, Screen - Pri. 1 minute minimum
 Insulation Resistance >100MΩ @ 500VD.C.
 Frequency Response 300Hz - 3500Hz: +/- 0.5dB
 Insertion Loss: 1.20dB Reference @1KHz
 ERL : 19.0dB Minimum
 Primary Return Loss : 11dB minimum @300Hz
 THD @0dBm 300Hz: -65dB typical @ 0dBm
 Longitudinal Balance: 60dB min per IEEE 455-1985

Reflected Z = 613 Ohms Ref @1KHz, 70mA DC/Primary & 600 ohm RL/Sec

All dimensions are reference unless otherwise specified.



PREM MAGNETICS INCORPORATED		CUSTOM ENGINEERING MAGNETIC COMPONENTS Johnsburg, Illinois 3521 N. Chapel Hill Rd. / McHenry, Illinois 60051	
SCALE: None	APPROVED BY:	DRAWN BY TJK	
DATE: 03-17-2016	<i>Tj Klotz</i>	REVISED	
Audio/Telephony Transformer p/n SPT-187			
		DRAWING NUMBER	
		C-SPT-187-3	